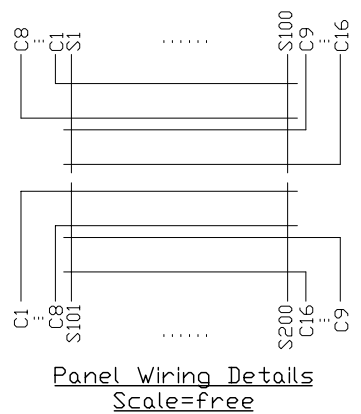
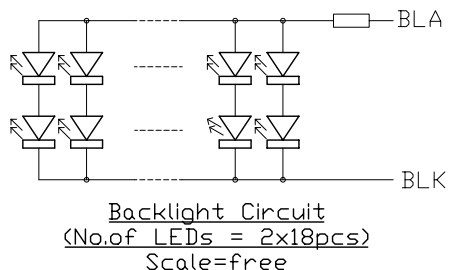
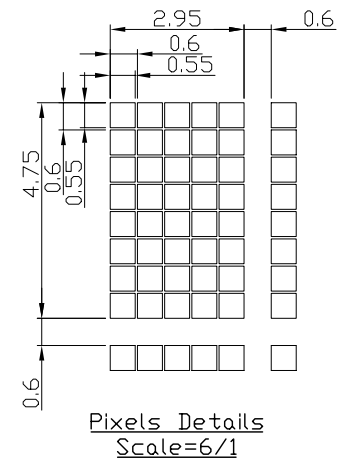


Terminal		
No.	Pin Name	
1	VSS	
2	VDD	
3	V0	
4	RS	
5	R/W	
6	E	
7	DB0	
8	DB1	
9	DB2	
10	DB3	
11	DB4	
12	DB5	
13	DB6	
14	DB7	
15	BLA	
16	BLK	



- Note:
- *1. LCD Display Type : STN, Positive, Transflective
 - *2. Viewing Direction : 6H
 - *3. Duty : 1/16; Bias : 1/5
 - *4. Operating Voltage : 5.0V
 - *5. Backlight Color : Y/G
 - *6. Operating Temperature : -20°C~70°C
 - *7. Storage Temperature : -30°C~80°C
 - *8. An external VR(5K) must be connected for Contrast Control.

<h1>HOT DISPLAY</h1>			
Dwg Title		HTM2004ACSYH6TLY Outline Dwg	
Dwg No.		Date	
060121		2006-08-28	
Scale	Unit	Tol.	
6/5	mm	±0.5	
Drawn	Checked	Approved	
JACK			